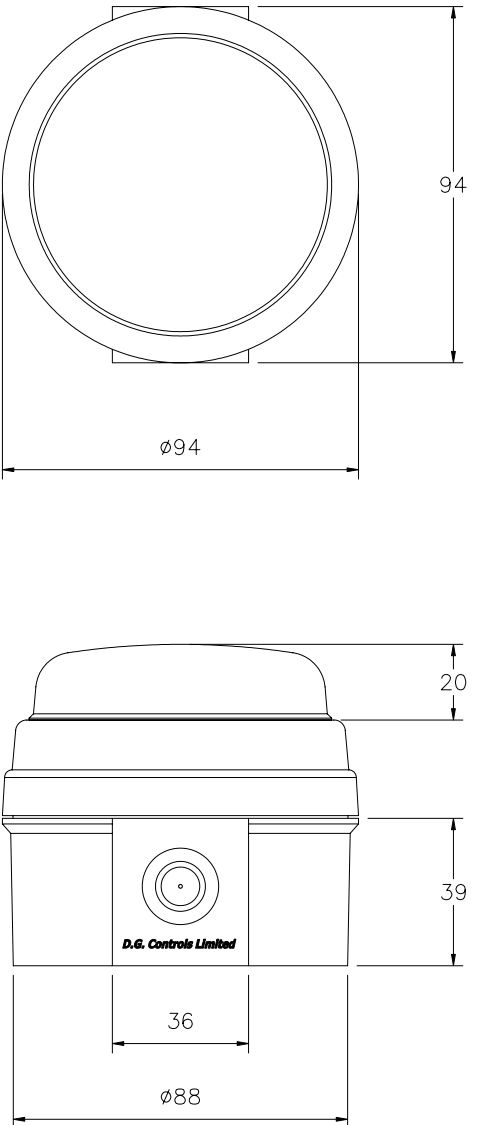
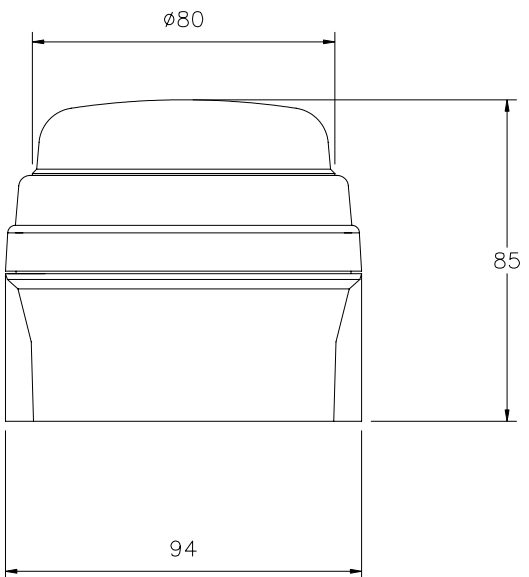


DRAWING NUMBER

2185A2-1

MODIFICATIONS



D G Controls Limited  
Swadlincote Derbyshire England

DRAWN	DATE	APPR.	LINEAR SCALE	PART NUMBER	PROJECTION
IM	13.03.08		NTS		

TITLE C SERIES OUTLINE DIMENSIONS