

Duplex (Wig-wag) Beacons



Our Bi-stable Duplex Flashing Beacons generate their warning signal either from the controlled alternate discharge of two Xenon Gas filled tubes or alternately flashing coloured LEDs by a continuously rated solid-state exciter. By selecting a different colour for each, a distinctive visual hazard warning is achieved of very high powered intensity.

All flash-head units feature UV-stabilised polycarbonate lenses, available in Red, Amber, Green, Blue and Clear; side and crown fresnel lensing being a feature of 'L' models for long-range and concentrated high luminous intensities.

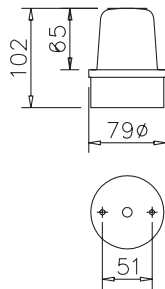
Repetitive Dual-flash (DH) - two flashes per channel ("11 22 11 22") and Single-flash (SH) - one flash per channel ("1 2 1 2") models.

Light Emitting Diode (LED) model features a clear lens and coloured LEDs, for example alternate flashing Blue/Red or Red/White.

Most models available with fitted magnets for temporary fixing.

As an alternative to the all-in-one units shown, separate exciter units and remote flash-heads can be specified. Exciter units; DX/EC - exciter card only and DX/1520/O/ - exciter card housed in our UV-stabilised Eurobox IP65 housing.

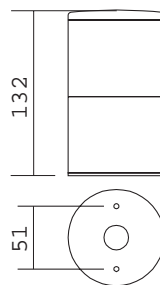
DX/1D/LED



Supply voltage	24Vuc	115Vac	230Vac
Supply voltage limits		± 15%	
Supply current:	21mA	12mA	6mA
Intensity:		13Cd	
Flash/min		60 / 90 / 120 fepm	
Temperature limits		-40C, +55C	
IEC protection class		IP65	

Example Order Code: DX/1D/AC/230/LED/Red/Clear

DX/XTA



Supply voltage	12Vuc	24Vuc	115Vac	230Vac
Supply voltage limits			± 15%	
Supply current:	330mA	170mA	60mA	30mA
Intensity:	Red		8Cd	
	Amber		24Cd	
	Green		24Cd	
	Blue		8Cd	
	Clear		40Cd	
Flash/min			60 fepm	
Temperature limits			-40C, +55C	
IEC protection class			IP65	

Example Order Code: DX/XTA/DC/24/SH/2.5J/Red/Clear

For Installation Accessories please refer to page 73

D.G. Controls Limited

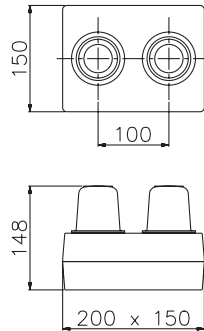
Cadley Hill Road, Swadlincote, Derbyshire, DE11 9TB, ENGLAND.

Tel: +44 (0) 1283 550850 Fax: +44 (0) 1283 550776 E-mail: sales@deegee.com www: <http://www.deegee.com>

Copyright © Reserved

Duplex (Wig-wag) Beacons

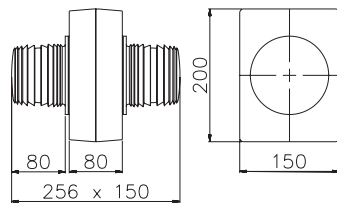
DX/1520/2D



Supply voltage	12Vuc	24Vuc	115Vac	230Vac	
Supply voltage limits	± 15%				
Supply current:	5J	590mA	300mA	75mA	40mA
	11J	1.36A	680mA	160mA	80mA
	16J	1.84A	920mA	230mA	115mA
Intensity:	5J	20Cd(R), 60Cd(A), 60Cd(G), 20Cd(B), 100Cd(C)			
(R, A, G, B, C)	11J	44Cd(R), 132Cd(A), 132Cd(G), 44Cd(B), 220Cd(C)			
	16J	64Cd(R), 192Cd(A), 192Cd(G), 64Cd(B), 320Cd(C)			
Flash/min	30, 45, 60, 90 fepm				
Temperature limits	-40C, +55C				
IEC protection class	IP65				

Example Order Code: DX/1520/2D/UC/24/SH/11J/Red/Clear

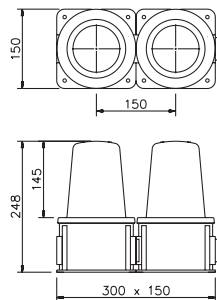
DX/1520/2L



Supply voltage	12Vuc	24Vuc	115Vac	230Vac	
Supply voltage limits	± 15%				
Supply current:	5J	590mA	300mA	75mA	40mA
	11J	1.36A	680mA	160mA	80mA
	16J	1.84A	920mA	230mA	115mA
Intensity:	5J	40Cd(R), 120Cd(A), 120Cd(G), 40Cd(B), 200Cd(C)			
(R, A, G, B, C)	11J	88Cd(R), 264Cd(A), 264Cd(G), 88Cd(B), 440Cd(C)			
	16J	128Cd(R), 384Cd(A), 384Cd(G), 128Cd(B), 640Cd(C)			
Flash/min	30, 45, 60, 90 fepm				
Temperature limits	-40C, +55C				
IEC protection class	IP65				

Typical Order Code: DX/1520/2L/AC/230/SH/5J/Red/Clear

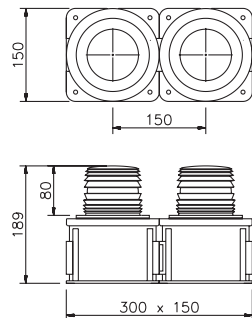
DX/2T



Supply voltage	12Vuc	24Vuc	115Vac	230Vac	
Supply voltage limits	± 15%				
Supply current:	5J	590mA	300mA	75mA	40mA
	11J	1.36A	680mA	160mA	80mA
	16J	1.84A	920mA	230mA	115mA
Intensity:	5J	20Cd(R), 60Cd(A), 60Cd(G), 20Cd(B), 100Cd(C)			
(R, A, G, B, C)	11J	44Cd(R), 132Cd(A), 132Cd(G), 44Cd(B), 220Cd(C)			
	16J	64Cd(R), 192Cd(A), 192Cd(G), 64Cd(B), 320Cd(C)			
Flash/min	30, 45, 60, 90 fepm				
Temperature limits	-40C, +55C				
IEC protection class	IP65				

Example Order Code: DX/2T/UC/24/SH/11J/Red/Clear

DX/2V



Supply voltage	12Vuc	24Vuc	115Vac	230Vac	
Supply voltage limits	± 15%				
Supply current:	5J	590mA	300mA	75mA	40mA
	11J	1.36A	680mA	160mA	80mA
	16J	1.84A	920mA	230mA	115mA
Intensity:	5J	40Cd(R), 120Cd(A), 120Cd(G), 40Cd(B), 200Cd(C)			
(R, A, G, B, C)	11J	88Cd(R), 264Cd(A), 264Cd(G), 88Cd(B), 440Cd(C)			
	16J	128Cd(R), 384Cd(A), 384Cd(G), 128Cd(B), 640Cd(C)			
Flash/min	30, 45, 60, 90 fepm				
Temperature limits	-40C, +55C				
IEC protection class	IP65				

Example Order Code: DX/2V/AC/230/SH/11J/Red/Clear

For Installation Accessories please refer to page 73

D.G. Controls Limited

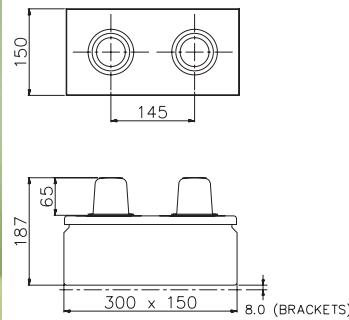
Cadley Hill Road, Swadlincote, Derbyshire, DE11 9TB, ENGLAND.

Tel: +44 (0) 1283 550850 Fax: +44 (0) 1283 550776 E-mail: sales@deegee.com www: http://www.deegee.com

Copyright © Reserved

Duplex (Wig-wag) Beacons

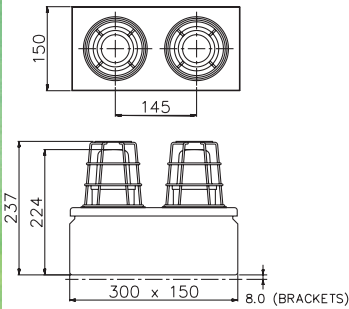
DX/1530/2D



Supply voltage	12Vuc	24Vuc	115Vac	230Vac	
Supply voltage limits	± 15%				
Supply current:	5J	590mA	300mA	75mA	40mA
	11J	1.36A	680mA	160mA	80mA
	16J	1.84A	920mA	230mA	115mA
Intensity:	5J	20Cd(R), 60Cd(A), 60Cd(G), 20Cd(B), 100Cd(C)			
(R, A, G, B, C)	11J	44Cd(R), 132Cd(A), 132Cd(G), 44Cd(B), 220Cd(C)			
	16J	64Cd(R), 192Cd(A), 192Cd(G), 64Cd(B), 320Cd(C)			
Flash/min	30, 45, 60, 90 fepm				
Temperature limits	-40C, +55C				
IEC protection class	IP65				

Typical Order Code: DX/1530/2D/AC/230/DH/5J/Red/Clear

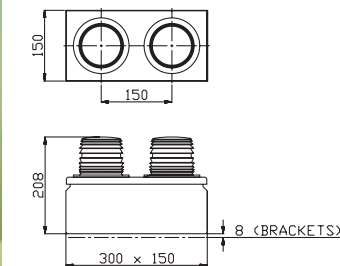
DXG/1530/2D



Supply voltage	12Vuc	24Vuc	115Vac	230Vac	
Supply voltage limits	± 15%				
Supply current:	5J	590mA	300mA	75mA	40mA
	11J	1.36A	680mA	160mA	80mA
	16J	1.84A	920mA	230mA	115mA
Intensity:	5J	20Cd(R), 60Cd(A), 60Cd(G), 20Cd(B), 100Cd(C)			
(R, A, G, B, C)	11J	44Cd(R), 132Cd(A), 132Cd(G), 44Cd(B), 220Cd(C)			
	16J	64Cd(R), 192Cd(A), 192Cd(G), 64Cd(B), 320Cd(C)			
Flash/min	30, 45, 60, 90 fepm				
Temperature limits	-40C, +55C				
IEC protection class	IP65				

Example Order Code: DXG/1530/2D/UC/12/DH/16J/Red/Clear

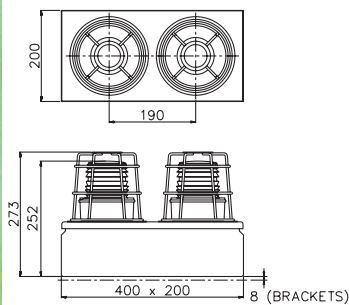
DX/1530/2L



Supply voltage	12Vuc	24Vuc	115Vac	230Vac	
Supply voltage limits	± 15%				
Supply current:	5J	590mA	300mA	75mA	40mA
	11J	1.36A	680mA	160mA	80mA
	16J	1.84A	920mA	230mA	115mA
Intensity:	5J	40Cd(R), 120Cd(A), 120Cd(G), 40Cd(B), 200Cd(C)			
(R, A, G, B, C)	11J	88Cd(R), 264Cd(A), 264Cd(G), 88Cd(B), 440Cd(C)			
	16J	128Cd(R), 384Cd(A), 384Cd(G), 128Cd(B), 640Cd(C)			
Flash/min	30, 45, 60, 90 fepm				
Temperature limits	-40C, +55C				
IEC protection class	IP65				

Example Order Code: DX/1530/2L/UC/24/SH/11J/Red/Clear

DXG/2040/2L



Supply voltage	12Vuc	24Vuc	115Vac	230Vac	
Supply voltage limits	± 15%				
Supply current:	5J	590mA	300mA	75mA	40mA
	11J	1.36A	680mA	160mA	80mA
	16J	1.84A	920mA	230mA	115mA
Intensity:	5J	40Cd(R), 120Cd(A), 120Cd(G), 40Cd(B), 200Cd(C)			
(R, A, G, B, C)	11J	88Cd(R), 264Cd(A), 264Cd(G), 88Cd(B), 440Cd(C)			
	16J	128Cd(R), 384Cd(A), 384Cd(G), 128Cd(B), 640Cd(C)			
Flash/min	30, 45, 60, 90 fepm				
Temperature limits	-40C, +55C				
IEC protection class	IP65				

Example Order Code: DXG/2040/2L/AC/115/SH/16J/Red/Clear

For Installation Accessories please refer to page 73

D.G. Controls Limited

Cadley Hill Road, Swadlincote, Derbyshire, DE11 9TB, ENGLAND.

Tel: +44 (0) 1283 550850 Fax: +44 (0) 1283 550776 E-mail: sales@deegee.com www: http://www.deegee.com

Copyright © Reserved