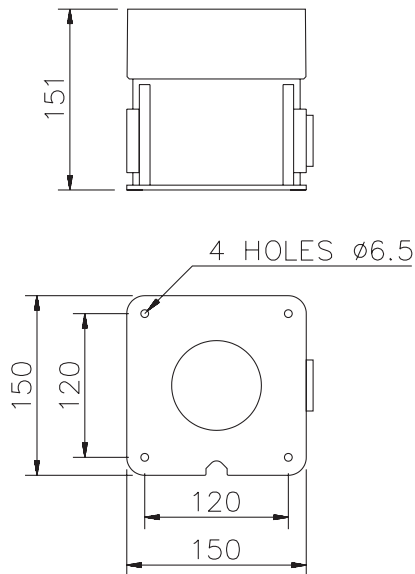


Series U



Heavy duty forward-facing uni-directional indicator featuring UV-stabilised polycarbonate base, lens and hood. Lens features optimised crown fresnel lensing to maximise available light transfer for enhanced long-range visibility. May be used singly or in groups with other Series T, Series U, Series V or Series W beacons for multi-status signalling. Unique ratchet system allows individual units to be orientated in respect to each other in 10° steps when multiple devices are clamped together. Incorporates fixing holes on 120 x 120mm centres for direct surface mounting and two 20mm dia. entries (one each side) for direct conduit/gland entry and/or to facilitate linking together of multiple units. Gland, Blanking Plug, Joining Tube, Sealing O-ring and Locknuts are provided for use singly or in groups of 2 or more co-joined beacons.

Cage Guard : G9
Wall Mounting Brackets: MB14 (fixed right-angle) or MB15 (adjustable pivot)

SBU/B15D Uni-directional Indicator

- Static (non-flashing) filament lamp (SBC) indicator.
- Used in pairs (Red/Green) for loading-bay traffic-light applications.
- Ideal slave to conventional **deege** pulsed beacons (not LED).
- Can be pulsed using our FMU solid-state flasher module.

	Filament Lamp					CFT
	12Vuc	24Vuc	50Vuc	115Vuc	230Vuc	
Supply voltage	12Vuc	24Vuc	50Vuc	115Vuc	230Vuc	230Vac
Supply voltage limits	± 15%					± 15%
Supply current	1.75A	875mA	300mA	130mA	110mA	45mA
Luminous intensity	Red	188Cd	17Cd	17Cd	44Cd	28Cd
	Amber	356Cd	27Cd	27Cd	72Cd	72Cd
	Green	117Cd	7Cd	7Cd	23Cd	57Cd
	Blue	47Cd	3Cd	3Cd	9Cd	19Cd
	Clear	480Cd	37Cd	37Cd	117Cd	94Cd
Lamp rating	21W	15W	15W	25W	10W	
Temperature limits						-20C, +55C
IEC protection class						IP65

Example Order Code: SBU/UC/230/B15D/Red

SBU/LED Uni-directional Indicator

- Static (non-flashing) LED indicator.
- Used in pairs (Red/Green) for loading-bay traffic-light applications.
- High-density LED Matrix.
- Long-life LEDs (>100,000 hours typical).
- Ideal low-current slave to conventional **deege** pulsed beacons (not LED).
- Can be pulsed using our standard solid-state flasher module.
- Systems available singly and in 2's, 3's and 4's for specific approach warnings. See page 58.

Supply voltage	24Vuc	115Vuc	230Vuc
Supply voltage limits	± 15%		
Supply current	200mA	50mA	25mA
Luminous intensity	Red	11Cd	
	Amber	20Cd	
	Green	8Cd	
	Blue	4Cd	
	Clear	35Cd	
Number of LEDs	48		
Temperature limits	-40C, +55C		
IEC protection class	IP65		

Example Order Code: SBU/UC/24/LED/Green

For Installation Accessories please refer to page 73

D.G. Controls Limited

Cadley Hill Road, Swadlincote, Derbyshire, DE11 9TB, ENGLAND.

Tel: +44 (0) 1283 550850 Fax: +44 (0) 1283 550776 E-mail: sales@deege.com www: http://www.deege.com

Copyright © Reserved