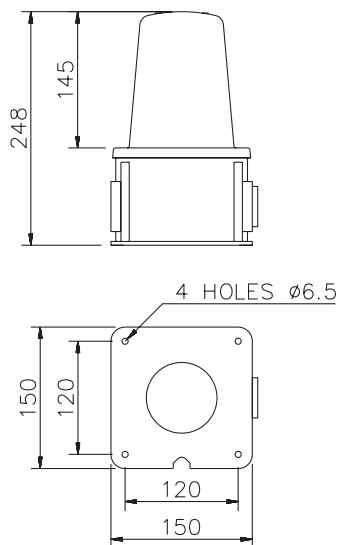


Series T



Heavy-duty industrial beacon lamps featuring UV-stabilised polycarbonate base and lens. May be used singly or in groups with other Series T, Series U, Series V or Series W beacons for multi-status signalling. Unique ratchet system allows individual units to be orientated in respect to each other in 10° steps when multiple devices are clamped together. Incorporates fixing holes on 120 x 120mm centres for direct surface mounting and two 20mm dia. entries (one each side) for direct conduit/gland entry and/or to facilitate linking together of multiple units. Gland, Blanking Plug, Joining Tube, Sealing O-ring and Locknuts are provided for use singly or in groups of 2 or more co-joined beacons. Additional (un-drilled) entry available in underside.

Cage Guard : G5 or G8
Wall Mounting Brackets: MB14 (fixed right-angle) or MB15 (adjustable pivot)

RFT/B15D Rotating Mirror Beacon

- Heavy duty version of our most popular rotating mirror beacon.
- Unique 'quiet-drive' system incorporating direct motor/turntable self-adjusting coupling and long life ball-race bearing. Eliminates nuisance of drive belt breakage and reduces drive-train noise.
- 360° All-round visibility.
- 24Vac, 50Vac, 110Vdc and 240Vdc models also available.

Supply voltage	12Vdc	24Vdc	115Vac	230Vac
Supply voltage limits			± 15%	
Supply current	4.15A	2.15A	540mA	270mA
Luminous intensity				
	Red	64Cd		80Cd
	Amber	192Cd		240Cd
	Green	115Cd		143Cd
	Blue	38Cd		48Cd
	Clear	256Cd		319Cd
Lamp rating		48W		60W
Reflector			80mm, ±3°	
Flash/min			180rpm (3Hz)	
Temperature limits			-20C, +55C	
IEC protection class			IP65	

Example Order Code: RFT/AC/230/B15D/Red

RFT/TH Rotating Mirror Beacon with Tungsten Halogen Lamp

- High intensity H1 Tungsten Halogen version.
- Unique 'quiet-drive' system incorporating direct motor/turntable coupling and long life ball-race bearing. Eliminates nuisance of drive belt breakage and reduces drive-train noise.
- 360° All-round visibility.
- 115Vac and 230Vac versions available.

Supply voltage	12Vdc	24Vdc
Supply voltage limits		± 15%
Supply current	4.75A	3A
Luminous intensity		
	Red	146Cd
	Amber	439Cd
	Green	264Cd
	Blue	88Cd
	Clear	586Cd
Lamp rating	55W	70W
Reflector		80mm, ±3°
Flash/min		180rpm (3Hz)
Temperature limits		-20C, +55C
IEC protection class		IP65

Example Order Code: RFT/DC/24/TH70/Blue

For Installation Accessories please refer to page 73

D.G. Controls Limited

Cadley Hill Road, Swadlincote, Derbyshire, DE11 9TB, ENGLAND.

Tel: +44 (0) 1283 550850 Fax: +44 (0) 1283 550776 E-mail: sales@deegee.com www: http://www.deegee.com

Copyright © Reserved



Series T



XFT/11 Joule and XFT/5 Joule Xenon Strobe Beacon

- High energy xenon strobe beacon.
- Repetitive Dual Flash (DH) and Single Flash (SH) models.
- Long-life xenon tube - typically > 20,000,000 flashes.
- 12Vuc, 24Vuc, 115Vac and 230Vac 11 Joule models.
- 12-100Vdc (12-72Vac) automatic voltage-ranging 5 Joule model (VRA).
- /SYNC terminals allow multiple units to be flashed in synchronisation.
- 360° All-round and 270° All-over visibility.
- Special 240Vdc model also available.

Supply voltage	12Vuc	24Vuc	115Vac	230Vac	VRA
Supply voltage limits			± 15%		n/a
Supply current	1.36A	680mA	160mA	80mA	7W
Luminous intensity	Red		44Cd		20Cd
	Amber		132Cd		60Cd
	Green		132Cd		60Cd
	Blue		44Cd		20Cd
	Clear		220Cd		100Cd
Flash Energy			11J		5J
Flash Event			DH or SH		SH Only
Flash rate adjustment			30, 45, 60, 90 fepm		
Temperature limits			-40C, +55C		
IEC protection class			IP65		

Example Order Code: XFT/AC/115/DH/11J/Amber



PST/B15D Pulsed (Flashing) Beacon

- Solid-state operation.
- 12Vdc, 24Vdc, 115Vac and 230Vac versions.
- 24Vac version available to order - See 24Vdc versions for specification.
- 50% duty cycle (equal on/off periods).
- Terminals on-board for additional slave beacons - up to rated maximum slave load.
- 360° All-round and 270° All-over visibility.
- Alternative lamps and lamp caps available, e.g. E14.

Supply voltage	12Vdc	24Vdc	115Vac	230Vac
Supply voltage limits			± 15%	
Supply current	4A	2A	520mA	260mA
Luminous intensity	Red	13Cd		15Cd
	Amber	38Cd		45Cd
	Green	23Cd		27Cd
	Blue	8Cd		9Cd
	Clear	50Cd		60Cd
Lamp rating		48W		60W
Max slave load	21W	48W	120W	300W
Flash/min			40fpm (0.667Hz)	
Temperature limits			-20C, +55C	
IEC protection class			IP65	

Example Order Code: PST/DC/12/B15D/Green



SBT Static (Non-flashing) Beacon

- 12V, 24V, 50V, 115V and 230V models. AC or DC operation (B15D lamp supplied).
- 230Vac compact fluorescent model (CFT) also available.
- Can be supplied without bulb (Voltage designation 'O').
- Ideal slave unit (not CFT) to conventional **deege** pulsed beacons (not LED).
- 360° All-round and 270° All-over visibility.
- Alternative lamps and lamp caps available, e.g. E14, E27 and B22.

		Filament Lamp				CFT
Supply voltage	12Vuc	24Vuc	50Vuc	115Vuc	230Vuc	230Vac
Supply voltage limits			± 15%			
Supply current	4A	2A	300mA	520mA	260mA	45mA
Luminous intensity	Red	13Cd	4Cd	15Cd		12Cd
	Amber	38Cd	11Cd	45Cd		45Cd
	Green	23Cd	7Cd	27Cd		27Cd
	Blue	8Cd	2Cd	9Cd		9Cd
	Clear	50Cd	15Cd	60Cd		60Cd
Lamp rating		48W	15W	60W		10W
Temperature limits				-20C, +55C		
IEC protection class				IP65		

Example Order Code: SBT/AC/230/CFT/Red



MFT/LED Multi-function LED Beacon

- High density matrix of long-life LEDs.
- Multiple functions selectable by either on-board jumper links or external switching.
- 360° All-round visibility.
- Single unit can indicate eight different switchable warning signals: -

Static			
Pulsed	3 speeds	40, 120 and 300 fpm	
Wig-Wag	2 styles	120 cycles per minute	
Chasing		60 cycles per minute	
Off			

Supply voltage	12Vdc	24Vdc	115Vac	230Vac
Supply voltage limits			± 15%	
Supply current	160mA	160mA	9mA	9mA
Number of LEDs	Red		48	
	Amber		48	
	Green		48	
	Blue		24	
	Clear		24	
Luminous Intensity			24Cd	
Flash/min			Mode Dependent	
Temperature limits			-40C, +55C	
IEC protection class			IP65	

Example Order Code: MFT/DC/12/LED/Red



For Installation Accessories please refer to page 73

D.G. Controls Limited

Cadley Hill Road, Swadlincote, Derbyshire, DE11 9TB, ENGLAND.

Tel: +44 (0) 1283 550850 Fax: +44 (0) 1283 550776 E-mail: sales@deege.com www: http://www.deege.com

Copyright © Reserved

Series T

RFT/RMLED Rotating Mirror LED Beacon

- Traditional rotating mirror with solid-state light source.
- High-output **AND** Low-power!
- 360° All-round visibility.
- Long-life LED (>100,000 hours typical).
- Ultra-low current draw means more units can be powered from a single source.
- Specifically ideal for systems that feature battery back-up in case of failure of the primary power source.

Supply voltage	12Vdc - 24Vdc	± 15%	115Vac - 230Vac
Supply voltage limits			
Supply power	5W		7W
Luminous intensity	Red	278Cd	
	Amber	163Cd	
	Green	178Cd	
	Blue	100Cd	
	Clear	278Cd	
Flash/min		120fpm (2Hz)	
Temperature limits		-20C, +55C	
IEC protection class		IP65	

Example Order Code: RFT/DC/12-24/RMLED/Red

RFT/LED Revolving and PST/LED Pulsed (Flashing) LED Beacons

- Solid-state LED beacon with either revolving (simulated rotating) or Pulsed light effect.
- 360° All-round visibility.
- No moving parts.
- Long-life LEDs (>100,000 hours typical).
- 50% duty cycle (equal on/off periods).
- User selectable pulsed/static (flashing/non-flashing) operation by simple jumper link change.
- Very low current draw.

Supply voltage	12Vdc	24Vdc	115Vac	230Vac
Supply voltage limits			± 15%	
Supply current (RFT/LED)	100mA	100mA	100mA	100mA
Supply current (PST/LED)	300mA	150mA	50mA	25mA
Number of LEDs	Red	120		
	Amber	120		
	Green	120		
	Blue	72		
	Clear	72		
Luminous intensity		16Cd		
Flash/min (RFT/LED)		150fpm (2.5Hz)		
Flash/min (PST/LED)		120fpm (2Hz)		
Temperature limits		-40C, +55C		
IEC protection class		IP65		

Example Order Code: RFT/AC/230/LED/Red or PST/DC/24/LED/Blue

SBT/LED Static (Non-flashing) LED Beacon - 360° All-round viewing

- Static (non-flashing) LED beacon
- 360° All-round visibility.
- Meets ICAO requirements for Low Intensity Obstruction Warning (Red only).
- High-density LED Matrix.
- Long-life LEDs (>100,000 hours typical).
- Ideal low-current slave to conventional **deege** pulsed beacons (not LED).

Supply voltage	12Vdc	24Vdc	115Vac	230Vac
Supply voltage limits			± 15%	
Supply current	600mA	300mA	100mA	50mA
Number of LEDs	Red	120		
	Amber	120		
	Green	120		
	Blue	72		
	Clear	72		
Luminous Intensity		16Cd		
Temperature limits		-40C, +55C		
IEC protection class		IP65		

Example Order Code: SBT/DC/12/LED/Green

SBT/AOV-LED (Non-flashing) Static LED Beacon - 360° All-round + 270° All-over viewing

- Static (non-flashing) LED beacon.
- 360° All-round' and 270° All-over visibility.
- Meets ICAO requirements for Low Intensity Obstruction Warning (Red only).
- Additional 48Vdc model for specialist applications.
- High-density LED Matrix.
- Long-life LEDs (>100,000 hours typical).
- Ideal low-current slave to conventional **deege** pulsed beacons (not LED).

Supply voltage	12Vdc	24Vdc	48Vdc	115Vac	230Vac
Supply voltage limits			± 15%		
Supply current	800mA	400mA	400mA	120mA	60mA
Number of LEDs	Red	160			
	Amber	160			
	Green	160			
	Blue	96			
	Clear	96			
Luminous Intensity		16Cd			
Temperature limits		-40C, +55C			
IEC protection class		IP65			

Example Order Code: SBT/DC/48/AOV-LED/Red

For Installation Accessories please refer to page 73

D.G. Controls Limited

Cadley Hill Road, Swadlincote, Derbyshire, DE11 9TB, ENGLAND.

Tel: +44 (0) 1283 550850 Fax: +44 (0) 1283 550776 E-mail: sales@deege.com www: http://www.deege.com

Copyright © Reserved

