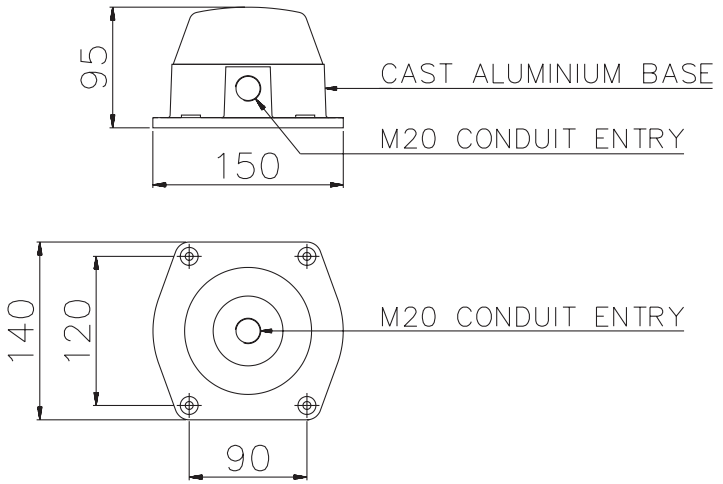


Series S



Heavy duty version of the low profile Series R hazard warning beacon featuring the same optimised crown fresnel lensing to maximise available light transfer for enhanced long-range visibility. Incorporates four fixing holes on 90 x 120mm centres for direct surface mounting or clamping (clamps not supplied). Threaded M20 entries in base and side for direct conduit/gland coupling. EPC coated cast aluminium base with UV-stabilised Polycarbonate Lens.

Cage Guard : None Available
Wall Mounting Brackets: MB7

XFS/7 Joule Xenon Strobe Beacon

- Medium energy xenon strobe beacon.
- Repetitive Single Flash (SH) models.
- Long-life xenon tube - typically > 20,000,000 flashes.
- 12Vdc, 24Vdc, 115Vac and 230Vac 7 Joule models.
- /SYNC terminals to allow multiple units to be flashed in synchronisation.
- 360° All-round and 270° All-over visibility.

Supply voltage	12Vdc	24Vdc	115Vac	230Vac
Supply voltage limits			± 15%	
Supply current	500mA	360mA	130mA	65mA
Luminous intensity	Red		85Cd	
	Amber		250Cd	
	Green		112Cd	
	Blue		60Cd	
	Clear		425Cd	
Flash Energy			7J	
Flash Event			SH	
Flash rate adjustment			60 fpm (1Hz)	
Temperature limits			-40C, +55C	
IEC protection class			IP65	

Example Order Code: XFS/AC/115/SH/7J/Blue

XFS/2.5 Joule Xenon Strobe Beacon

- Low energy xenon strobe beacon.
- Repetitive Single Flash (SH) models.
- Long-life xenon tube - typically > 20,000,000 flashes.
- 12Vdc, 24Vdc, 115Vac and 230Vac 2.5 Joule models.
- 360° All-round and 270° All-over visibility.

Supply voltage	12Vdc	24Vdc	115Vac	230Vac
Supply voltage limits			± 15%	
Supply current	330mA	170mA	60mA	30mA
Luminous intensity	Red		30Cd	
	Amber		89Cd	
	Green		40Cd	
	Blue		21Cd	
	Clear		152Cd	
Flash Energy			2.5J	
Flash Event			SH	
Flash rate adjustment			60 fpm (1Hz)	
Temperature limits			-40C, +55C	
IEC protection class			IP65	

Example Order Code: XFS/DC/12/SH/2.5J/Red

For Installation Accessories please refer to page 73

D.G. Controls Limited

Cadley Hill Road, Swadlincote, Derbyshire, DE11 9TB, ENGLAND.

Tel: +44 (0) 1283 550850 Fax: +44 (0) 1283 550776 E-mail: sales@deegee.com www: http://www.deegee.com

Copyright © Reserved

Series S

PSS/B15D Pulsed (Flashing) Beacon

- Solid-state operation.
- 12Vdc, 24Vdc, 115Vac and 230Vac versions.
- 24Vac version available to order - see 24Vdc versions for specification.
- 50% duty cycle (equal on/off periods).
- Terminals on-board for additional slave beacons - up to rated maximum slave load.
- 360° All-round and 270° All-over visibility.

Supply voltage		12Vdc	24Vdc	115Vac	230Vac
Supply voltage limits				± 15%	
Supply current		1.75A	875mA	130mA	65mA
Luminous intensity	Red	40Cd	40Cd	11Cd	24Cd
	Amber	118Cd	118Cd	32Cd	71Cd
	Green	52Cd	52Cd	14Cd	31Cd
	Blue	28Cd	28Cd	8Cd	17Cd
	Clear	200Cd	200Cd	55Cd	120Cd
Lamp rating		21W	21W	15W	25W
Flash/min			40fpm (0.667Hz)		
Temperature limits			-20C, +55C		
IEC protection class			IP65		

Example Order Code: PSS/DC/24/B15D/Red

SBS Static (Non-flashing) Beacon

- Continuously rated indicator lamps.
- Ideal slaves to conventional pulsed **deegee** beacons (not LED).
- Standard filament lamp models.
- 360° All-round and 270° All-over visibility.

Supply voltage		12Vdc	24Vdc	50Vdc	115Vdc	230Vdc
Supply voltage limits				± 15%		
Supply current		1.75A	875mA	300mA	130mA	110mA
Luminous intensity	Red	40Cd	40Cd	11Cd	11Cd	24Cd
	Amber	118Cd	118Cd	32Cd	32Cd	71Cd
	Green	52Cd	52Cd	14Cd	14Cd	31Cd
	Blue	28Cd	28Cd	8Cd	8Cd	17Cd
	Clear	200Cd	200Cd	55Cd	55Cd	120Cd
Lamp rating		21W	21W	15W	15W	25W
Temperature limits				-20C, +55C		
IEC protection class				IP65		

Example Order Code: SBS/UC/12/B15D/Green

RFS/LED Revolving LED Beacon

- Solid-state LED beacon with revolving (simulated rotating) light effect.
- 360° 'all-round' visibility.
- No moving parts.
- High density LED matrix.
 - Long-life LEDs (>100,000 hours typical)
- Ultra-low current draw relative to achieved light output.

Supply voltage		12Vdc	24Vdc	115Vac	230Vac
Supply voltage limits				± 15%	
Supply current				25mA	
Number of LEDs	Red	40			
	Amber	40			
	Green	40			
	Blue	24			
	Clear	24			
Luminous intensity				8Cd	
Flash/min				150fpm (2.5Hz)	
Temperature limits				-40C, +55C	
IEC protection class				IP65	

Example Order Code: RFS/AC/115/LED/Amber

PSS/LED Pulsed (Flashing) LED Beacon

- Pulsed beacon incorporating high density LED matrix.
- 360° 'all-round' visibility.
- Long-life LEDs (>100,000 hours typical).
- User selectable pulsed/static (flashing/non-flashing) operation by simple jumper link change.
- Very low current draw.

Supply voltage		12Vdc	24Vdc	115Vac	230Vac
Supply voltage limits				± 15%	
Supply current		70mA	35mA	10mA	10mA
Number of LEDs	Red	30			
	Amber	30			
	Green	30			
	Blue	18			
	Clear	18			
Luminous intensity				8Cd	
Flash/min				120fpm (2Hz)	
Temperature limits				-40C, +55C	
IEC protection class				IP65	

Example Order Code: PSS/DC/24/LED/Red

For Installation Accessories please refer to page 73

D.G. Controls Limited

Cadley Hill Road, Swadlincote, Derbyshire, DE11 9TB, ENGLAND.

Tel: +44 (0) 1283 550850 Fax: +44 (0) 1283 550776 E-mail: sales@deegee.com www: http://www.deegee.com

Copyright © Reserved



Series S



SBS/LED Static (Non-flashing) LED Beacon

- Static (non-flashing) LED beacon.
- 360° All-round visibility.
- High-density LED Matrix.
- Long-life LEDs (>100,000 hours typical).
- Ideal low-current slave to conventional **deege** pulsed beacons (not LED).

Supply voltage	12Vdc	24Vdc	115Vac	230Vac
Supply voltage limits			± 15%	
Supply current	140mA	70mA	20mA	20mA
Number of LEDs	Red		30	
	Amber		30	
	Green		30	
	Blue		18	
	Clear		18	
Luminous Intensity			8Cd	
Temperature limits			-40C, +55C	
IEC protection class			IP65	



Example Order Code: SBS/AC/230/LED/Amber



SBS/UNI-LED Static Unidirectional LED Beacon

- Uni-directional LED beacon.
- Light exits top of beacon dome.
- Ideal for wall-mounted status signalling.
- Ideal low-current slave to conventional **deege** pulsed beacons (not LED).
- High density LED matrix.
- Long-life LEDs (>100,000 hours typical).

Supply voltage	12Vdc	24Vdc	115Vac	230Vac
Supply voltage limits			± 15%	
Supply current	180mA	90mA	25mA	25mA
Number of LEDs	Red		32	
	Amber		32	
	Green		32	
	Blue*		32	
	Clear*		32	
Luminous intensity			Cd	
Temperature limits			-40C, +55C	
IEC protection class			IP65	



* Blue and Clear currently unavailable in 12Vdc.

Example Order Code: SBS/DC/24/UNI-LED/Red



PSS/ULP-LED Pulsed (Flashing) LED Beacon

- Ultra-low-power version of the PSR/LED Pulsed beacon incorporating high-efficiency LED matrix.
- 360° All-round and 180° All-over visibility.
- Long-life LEDs (>100,000 hours typical).
- Normally pulsed. Can be converted to static operation by removal of fixed link on PCB.
- Very low current draw.
- Also available as combined beacon/sounder unit - see page 69.

Supply voltage	12Vdc	24Vdc	115Vac	230Vac
Supply voltage limits			± 15%	
Supply current	40mA	30mA	10mA	10mA
Number of LEDs	Red		12	
	Amber		12	
	Green		12	
	Blue		12	
	Clear		12	
Luminous intensity			7Cd	
Flash/min			120fpm (2Hz)	
Temperature limits			-40C, +55C	
IEC protection class			IP65	



Example Order Code: PSS/DC/12/ULP-LED/Red



SBS/ULP-LED Static (Non-flashing) LED Beacon

- Ultra-low-power version of the SBR/LED Static (non-flashing) LED beacon.
- 360° All-round and 180° All-over visibility.
- High-efficiency LED Matrix.
- Long-life LEDs (>100,000 hours typical).
- Ideal low-current slave to conventional **deege** pulsed beacons (not LED).
- Also available as combined beacon/sounder unit - see page 69.

Supply voltage	12Vdc	24Vdc	115Vac	230Vac
Supply voltage limits			± 15%	
Supply current	80mA	60mA	20mA	20mA
Number of LEDs	Red		12	
	Amber		12	
	Green		12	
	Blue		12	
	Clear		12	
Luminous Intensity			7Cd	
Temperature limits			-40C, +55C	
IEC protection class			IP65	



Example Order Code: SBS/AC/115/ULP-LED/Green



For Installation Accessories please refer to page 73

D.G. Controls Limited

Cadley Hill Road, Swadlincote, Derbyshire, DE11 9TB, ENGLAND.

Tel: +44 (0) 1283 550850 Fax: +44 (0) 1283 550776 E-mail: sales@deege.com www: http://www.deege.com

Copyright © Reserved