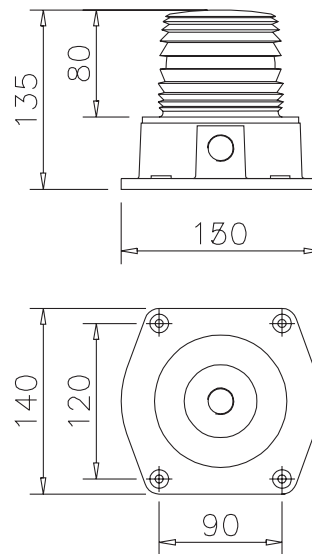
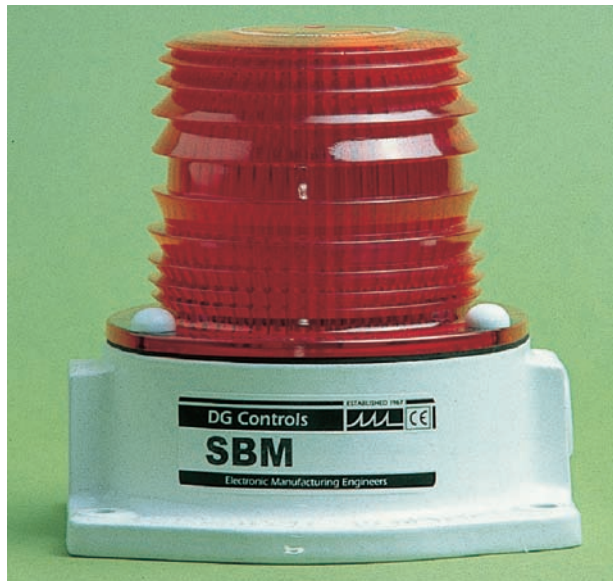


Series M



Heavy-duty version of the innovative Series L hazard warning beacon. Cast aluminium base complements the thick-walled dome lens with optimised external lens ribbing for enhanced long-range visibility. Incorporates four fixing holes on 90 x 120mm centres for direct surface mounting or clamping (clamps not supplied). Threaded M20 entries in base and side for direct conduit/gland coupling.

Cage Guard : G3
Wall Mounting Brackets: MB7

RFM/TH20 Rotating Mirror Beacon with Tungsten Halogen Lamp

- Lower powered rotating mirror beacon.
- Ideal for Fire Alarm applications.
- Long-life ball-race bearing.
- 360° All-round visibility.
- 12Vdc and 24Vdc models available.

Supply voltage	12Vdc	24Vdc
Supply voltage limits	± 15%	
Supply current	1.7A	950mA
Luminous intensity		
Red	25Cd	
Amber	75Cd	
Green	45Cd	
Lamp rating	20W	
Reflector	±3°	
Flash/min	240fpm (3Hz)	
Temperature limits	-20C, +55C	
IEC protection class	IP65	

Example Order Code: RFM/DC/12/TH20/Red

XFM/11 Joule and XFM/5 Joule Xenon Strobe Beacon

- High energy xenon strobe beacon.
- Repetitive Dual Flash (DH) and Single Flash (SH) models.
- Long-life xenon tube - typically > 20,000,000 flashes.
- 12Vuc, 24Vuc, 115Vac and 230Vac 11 Joule models.
- 12-100Vdc (12-72Vac) automatic voltage-ranging 5 Joule model (VRA).
- /SYNC terminals to allow multiple units to be flashed in synchronisation.
- 360° All-round and 270° All-over visibility.
- Special 240Vdc model also available.

Supply voltage	12Vuc	24Vuc	115Vac	230Vac	VRA
Supply voltage limits		± 15%			n/a
Supply current	1.36A	680mA	160mA	80mA	7W
Luminous intensity					
Red		115Cd			52Cd
Amber		264Cd			120Cd
Green		264Cd			120Cd
Blue		88Cd			40Cd
Clear		440Cd			200Cd
Flash Energy		11J			5J
Flash Event		DH or SH			SH Only
Flash rate adjustment		30, 45, 60, 90 fepm			
Temperature limits		-40C, +55C			
IEC protection class		IP65			

Example Order Code: XFM/AC/230/DH/11J/Green

For Installation Accessories please refer to page 73

D.G. Controls Limited

Cadley Hill Road, Swadlincote, Derbyshire, DE11 9TB, ENGLAND.

Tel: +44 (0) 1283 550850 Fax: +44 (0) 1283 550776 E-mail: sales@deegee.com www: http://www.deegee.com

Copyright © Reserved



Series M



XFM/7 Joule Xenon Strobe Beacon

- Medium energy xenon strobe beacon.
- Repetitive Single Flash (SH) models.
- Long-life xenon tube - typically > 20,000,000 flashes.
- 12Vuc, 24Vuc, 115Vac and 230Vac 7 Joule models.
- /SYNC terminals to allow multiple units to be flashed in synchronisation.
- 360° All-round and 270° All-over visibility.

Supply voltage	12Vdc	24Vdc	115Vac	230Vac
Supply voltage limits	± 15%			
Supply current	500mA	360mA	130mA	65mA
Luminous intensity	Red	75Cd		
	Amber	168Cd		
	Green	168Cd		
	Blue	56Cd		
	Clear	280Cd		
Flash Energy	7J			
Flash Event	SH			
Flash rate adjustment	60 fpm (1Hz)			
Temperature limits	-40C, +55C			
IEC protection class	IP65			



Example Order Code: XFM/UC/12/DH/7J/Blue



XFM/2.5 Joule Xenon Strobe Beacon

- Low energy xenon strobe beacon.
- Repetitive Single Flash (SH) models.
- Long-life xenon tube - typically > 20,000,000 flashes.
- 12Vdc, 24Vdc, 115Vac and 230Vac 2.5 Joule models.
- 360° All-round and 270° All-over visibility.

Supply voltage	12Vdc	24Vdc	115Vac	230Vac
Supply voltage limits	± 15%			
Supply current	330mA	170mA	60mA	30mA
Luminous intensity	Red	26Cd		
	Amber	60Cd		
	Green	60Cd		
	Blue	20Cd		
	Clear	100Cd		
Flash Energy	2.5J			
Flash Event	SH			
Flash rate adjustment	60 fpm (1Hz)			
Temperature limits	-40C, +55C			
IEC protection class	IP65			



Example Order Code: XFM/DC/24/SH/2.5J/Amber



PSM/B15D Pulsed (Flashing) Beacon

- Solid-state operation.
- 12Vdc, 24Vdc, 115Vac and 230Vac versions.
- 24Vac version available to order - see 24Vdc versions for specification.
- 50% duty cycle (equal on/off periods).
- Terminals on-board for additional slave beacons - up to rated maximum slave load.
- 360° All-round and 270° All-over visibility.

Supply voltage	12Vdc	24Vdc	115Vac	230Vac
Supply voltage limits	± 15%			
Supply current	1.75A	875mA	130mA	65mA
Luminous intensity	Red	15Cd	11Cd	19Cd
	Amber	45Cd	34Cd	56Cd
	Green	27Cd	20Cd	34Cd
	Blue	9Cd	7Cd	11Cd
	Clear	60Cd	45Cd	75Cd
Lamp rating	21W	15W	25W	
Max slave load	48W	180W	360W	
Flash/min	40fpm (0.667Hz)			
Temperature limits	-20C, +55C			
IEC protection class	IP65			



Example Order Code: PSM/AC/230/B15D/Red



SBM Static (Non-flashing) Beacon

- Continuously rated indicator lamps.
- Ideal slave (not CFT) to conventional pulsed **deege** beacons (not LED).
- Standard filament lamp models and low-energy CFT compact fluorescent models.
- 360° All-round and 270° All-over visibility.

		Filament Lamp				CFT
Supply voltage	12Vuc	24Vuc	50Vuc	115Vuc	230Vuc	230Vac
Supply voltage limits	± 15%					
Supply current	1.75A	875mA	300mA	130mA	110mA	45mA
Luminous intensity	Red	12Cd	11Cd	11Cd	19Cd	12Cd
	Amber	45Cd	34Cd	34Cd	56Cd	45Cd
	Green	27Cd	20Cd	20Cd	34Cd	27Cd
	Blue	9Cd	7Cd	7Cd	11Cd	9Cd
	Clear	60Cd	45Cd	45Cd	75Cd	60Cd
Lamp rating	21W	15W	15W	25W		10W
Temperature limits	-20C, +55C					
IEC protection class	IP65					



Example Order Code: SBM/AC/230/CFT/Red



For Installation Accessories please refer to page 73

D.G. Controls Limited

Cadley Hill Road, Swadlincote, Derbyshire, DE11 9TB, ENGLAND.

Tel: +44 (0) 1283 550850 Fax: +44 (0) 1283 550776 E-mail: sales@deege.com www: http://www.deege.com

Copyright © Reserved