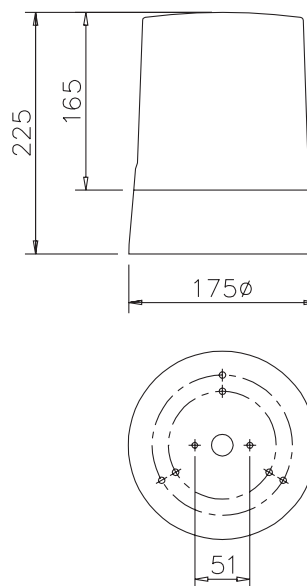


Series H



Hi-top industrial, vehicle, security and obstruction hazard warning beacon with smooth exterior for easy wipe-down cleaning. Incorporates fixing drillouts on 51mm centres for direct conduit box mounting (gasket supplied) with alternative 3 drillouts on 100mm PCD and further 3 drillouts on 130mm PCD. Central 20mmØ drillout for cable entry in base. High grade engineering, UV-stabilised plastics (ABS Base, Polycarbonate Lens).

Cage Guard : G5
Wall Mounting Brackets : MB1, MB1A or MB7

RFH/B15D Rotating Mirror Beacon

- Very popular rotating mirror beacon.
- Unique 'quiet-drive' system incorporating direct motor/turntable coupling and long life ball-race bearing. Eliminates nuisance of drive belt breakage and reduces drive-train noise.
- All models feature 120mm reflector for enhanced visibility in the vertical viewing plane.
- 360° All-round visibility.
- 24Vac, 50Vac, 110Vdc and 240Vdc models also available.

Supply voltage	12Vdc	24Vdc	115Vac	230Vac
Supply voltage limits			± 15%	
Supply current	4.15A	2.15A	540mA	270mA
Luminous intensity				
	Red	54Cd		68Cd
	Amber	162Cd		202Cd
	Green	97Cd		121Cd
	Blue	32Cd		40Cd
	Clear	216Cd		270Cd
Lamp rating		48W		60W
Reflector			120mm, ±8°	
Flash/min			180fpm (3Hz)	
Temperature limits			-20C, +55C	
IEC protection class			IP65	

Example Order Code: RFH/AC/115/B15D/Red

RFH/TH Rotating Mirror Beacon with Tungsten Halogen Lamp

- High intensity H1 Tungsten Halogen version.
- Unique 'quiet-drive' system incorporating direct motor/turntable coupling and long life ball-race bearing. Eliminates nuisance of drive belt breakage and reduces drive-train noise.
- 120mm reflector for enhanced visibility in the vertical viewing plane.
- 360° All-round visibility.
- 115Vac and 230Vac versions available with external Transformer Box (ACTE) for low-voltage lamp.

Supply voltage	12Vdc	24Vdc
Supply voltage limits		± 15%
Supply current	4.75A	3A
Luminous intensity		
	Red	124Cd
	Amber	370Cd
	Green	222Cd
	Blue	74Cd
	Clear	494Cd
Lamp rating	55W	70W
Reflector		120mm, ±8°
Flash/min		180fpm (3Hz)
Temperature limits		-20C, +55C
IEC protection class		IP65

Example Order Code: RFH/DC/24/TH70/Blue

For Installation Accessories please refer to page 73

D.G. Controls Limited

Cadley Hill Road, Swadlincote, Derbyshire, DE11 9TB, ENGLAND.

Tel: +44 (0) 1283 550850 Fax: +44 (0) 1283 550776 E-mail: sales@deegee.com www: http://www.deegee.com

Copyright © Reserved

Series H

XFH/11 Joule Xenon Strobe Beacon

- High energy xenon strobe beacon.
- Repetitive Dual Flash (DH) and Single Flash (SH) models.
- Long-life xenon tube - typically > 20,000,000 flashes.
- 12Vuc, 24Vuc, 115Vac and 230Vac 11 Joule models.
- 12-100Vdc (12-72Vac) automatic voltage-ranging 5 Joule model (VRA).
- /SYNC terminals to allow multiple units to be flashed in synchronisation.
- 360° All-round and 270° All-over visibility.
- Special 240Vdc model also available.

Supply voltage	12Vuc	24Vuc	115Vac	230Vac	VRA
Supply voltage limits			± 15%		n/a
Supply current	1.36A	680mA	160mA	80mA	7W
Luminous intensity	Red		106Cd		40Cd
	Amber		264Cd		120Cd
	Green		264Cd		120Cd
	Blue		88Cd		40Cd
	Clear		440Cd		200Cd
Flash Energy			11J		5J
Flash Event			DH or SH		SH Only
Flash rate adjustment			30, 45, 60, 90 fepm		
Temperature limits			-40C, +55C		
IEC protection class			IP65		

Example Order Code: XFH/AC/115/DH/11J/Blue

XFH/24 Joule Xenon Strobe Beacon

- Ultra-high energy xenon strobe beacon.
- Repetitive Dual Flash (DH) and Single Flash (SH) models.
- Long-life xenon tube - typically > 20,000,000 flashes.
- 12Vuc, 24Vuc, 115Vac and 230Vac 24 Joule models.
- /SYNC terminals to allow multiple units to be flashed in synchronisation.
- 360° All-round and 270° All-over visibility.
- Special 240Vdc model also available.

Supply voltage	12Vuc	24Vuc	115Vac	230Vac	
Supply voltage limits			± 15%		
Supply current	3.10A	1.55A	350mA	175mA	
Luminous intensity	Red		230Cd		
	Amber		576Cd		
	Green		576Cd		
	Blue		192Cd		
	Clear		960Cd		
Flash Energy			24J		
Flash Event			DH or SH		
Flash rate adjustment			30, 45, 60, 90 fepm		
Temperature limits			-40C, +55C		
IEC protection class			IP65		

Example Order Code: XFH/UC/24/SH/24J/Red

PSH/B15D Pulsed (Flashing) Beacon

- Solid-state operation.
- 12Vdc, 24Vdc, 115Vac and 230Vac versions.
- 24Vac version available to order - see 24Vdc versions for specification.
- 50% duty cycle (equal on/off periods).
- Terminals on-board for additional slave beacons - up to rated maximum slave load.
- 360° All-round and 270° All-over visibility.
- Alternative lamps and lamp caps available, e.g. E14 or E27.

Supply voltage	12Vdc	24Vdc	115Vac	230Vac	
Supply voltage limits			± 15%		
Supply current	4A	2A	520mA	260mA	
Luminous intensity	Red	13Cd		15Cd	
	Amber	38Cd		45Cd	
	Green	23Cd		27Cd	
	Blue	8Cd		9Cd	
	Clear	50Cd		60Cd	
Lamp rating		48W		60W	
Max slave load	21W		48W	120W	300W
Flash/min			40fpm (0.667Hz)		
Temperature limits			-20C, +55C		
IEC protection class			IP65		

Example Order Code: PSH/AC/230/B15D/Amber

SBH Static (Non-flashing) Beacon

- Ideal slave (not CFT) to conventional **deege** pulsed beacons (not LED).
- 360° All-round and 270° All-over visibility.
- 12V, 24V, 50V, 115V and 230V versions. AC or DC operation (B15D bulb supplied).
- 230Vac compact fluorescent (CFT) also available.
- Also available without fitted bulb (voltage designation 'O')
- Alternative lamps and lamp caps available, e.g. E14 or E27.

		Filament Lamp				CFT
Supply voltage	12Vuc	24Vuc	50Vuc	115Vuc	230Vuc	230Vac
Supply voltage limits			± 15%			
Supply current	4A	2A	300mA	520mA	260mA	45mA
Luminous intensity	Red	13Cd	4Cd	15Cd		12Cd
	Amber	38Cd	11Cd	45Cd		45Cd
	Green	23Cd	7Cd	27Cd		27Cd
	Blue	8Cd	2Cd	9Cd		9Cd
	Clear	50Cd	15Cd	60Cd		60Cd
Lamp rating		48W	15W	60W		10W
Temperature limits			-20C, +55C			
IEC protection class			IP65			

Example Order Code: SBH/UC/115/B15D/Green

For Installation Accessories please refer to page 73

D.G. Controls Limited

Cadley Hill Road, Swadlincote, Derbyshire, DE11 9TB, ENGLAND.

Tel: +44 (0) 1283 550850 Fax: +44 (0) 1283 550776 E-mail: sales@deege.com www: http://www.deege.com

Copyright © Reserved



Series H



RFH/RMLED Rotating Mirror LED Beacon

- Traditional rotating mirror with solid-state light source.
- High-output **AND** Low-power!
- 360° All-round visibility.
- Long-life LED (>100,000 hours typical).
- Ultra-low current draw means more units can be powered from a single source.
- Specifically ideal for systems that feature battery back-up in case of failure of the primary power source.

Supply voltage	12Vdc - 24Vdc	115Vac - 230Vac
Supply voltage limits	± 15%	
Supply power	5W	7W
Luminous intensity	Red	278Cd
	Amber	163Cd
	Green	178Cd
	Blue	100Cd
	Clear	278Cd
Flash/min	120fpm (2Hz)	
Temperature limits	-20C, +55C	
IEC protection class	IP65	

Example Order Code: RFH/DC/12-24/RMLED/Green



RFH/LED Revolving and PSH/LED Pulsed (Flashing) LED Beacons

- Solid-state LED beacon with either revolving (simulated rotating) or Pulsed light effect.
- 360° All-round visibility.
- No moving parts.
- Long-life LEDs (>100,000 hours typical).
- 50% duty cycle (equal on/off periods).
- User selectable pulsed/static (flashing/non-flashing) operation by simple jumper link change.
- Very low current draw.

Supply voltage	12Vdc	24Vdc	115Vac	230Vac
Supply voltage limits	± 15%			
Supply current (RFH/LED)	100mA	100mA	100mA	100mA
Supply current (PSH/LED)	300mA	150mA	50mA	25mA
Number of LEDs	Red	120		
	Amber	120		
	Green	120		
	Blue	72		
	Clear	72		
Luminous intensity	16Cd			
Flash/min (RFH/LED)	150fpm (2.5Hz)			
Flash/min (PSH/LED)	120fpm (2Hz)			
Temperature limits	-40C, +55C			
IEC protection class	IP65			

Example Order Code: RFH/AC/230/LED/Red or PSH/DC/24/LED/Blue



SBH/LED Static (Non-flashing) LED Beacon - 360° All-round viewing

- Static (non-flashing) LED beacon.
- 360° All-round visibility.
- Meets ICAO requirements for Low Intensity Obstruction Warning (Red only).
- High-density LED Matrix.
- Long-life LEDs (>100,000 hours typical).
- Ideal low-current slave to conventional **deege** (not LED) pulsed beacons.

Supply voltage	12Vdc	24Vdc	115Vac	230Vac
Supply voltage limits	± 15%			
Supply current	600mA	300mA	100mA	50mA
Number of LEDs	Red	120		
	Amber	120		
	Green	120		
	Blue	72		
	Clear	72		
Luminous Intensity	16Cd			
Temperature limits	-40C, +55C			
IEC protection class	IP65			

Example Order Code: SBH/AC/230/LED/Red



SBH/AOV-LED Static (Non-flashing) LED Beacon - 360° All-round + 270° All-over viewing

- Static (non-flashing) LED beacon.
- 360° All-round and 270° All-over visibility.
- Meets ICAO requirements for Low Intensity Obstruction Warning (Red only).
- Additional 48Vdc model for specialist applications.
- High-density LED Matrix.
- Long-life LEDs (>100,000 hours typical).
- Ideal low-current slave to conventional **deege** (not LED) pulsed beacons.

Supply voltage	12Vdc	24Vdc	48Vdc	115Vac	230Vac
Supply voltage limits	± 15%				
Supply current	800mA	400mA	400mA	120mA	60mA
Number of LEDs	Red	160			
	Amber	160			
	Green	160			
	Blue	96			
	Clear	96			
Luminous Intensity	16Cd				
Temperature limits	-40C, +55C				
IEC protection class	IP65				

Example Order Code: SBH/DC/24/AOV-LED/Amber



For Installation Accessories please refer to page 73

D.G. Controls Limited

Cadley Hill Road, Swadlincote, Derbyshire, DE11 9TB, ENGLAND.

Tel: +44 (0) 1283 550850 Fax: +44 (0) 1283 550776 E-mail: sales@deege.com www: http://www.deege.com

Copyright © Reserved