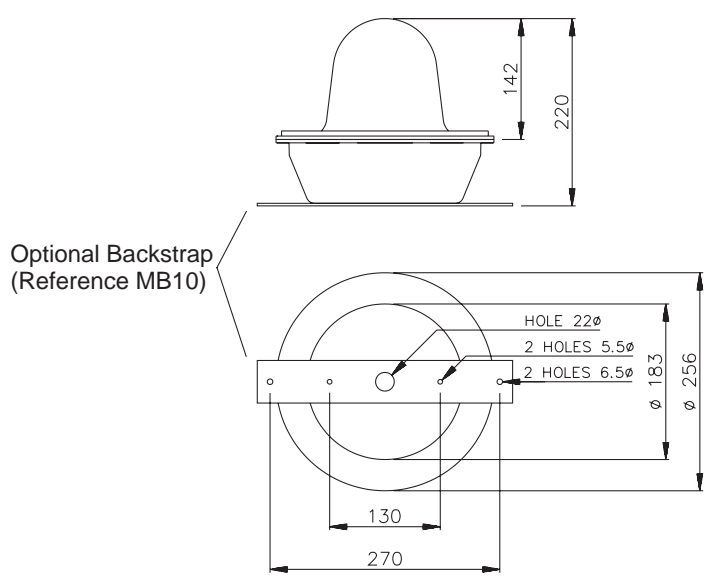


# Series G



Heavy-duty IP68 industrial/marine/obstruction warning beacon. Eight-point tamper resistant dome fixing and O-ring gasket for positive ingress protection. High grade engineering, UV-stabilised Polycarbonate base and lens. Flat positions in opposing sides (2 off) and base (1 off) for user to drill entries for Conduit/Glands and to allow through connection. Side entry thickness suitable for thread forming.

**Cage Guard :** G7 - Bonded to dome-lens - Order with beacon.  
**Mounting Brackets :** MB7 Bracket and MB10 Optional Backstrap for easy surface mounting

## RFG/B15D Rotating Mirror Beacon

- Rugged rotating mirror beacon.
- Unique 'quiet-drive' system incorporating direct motor/turntable self adjusting coupling and long life ball-race bearing. Eliminates nuisance of drive belt breakage and reduces drive-train noise.
- 360° All-round viewing.
- 24Vac, 50Vac, 110Vdc and 240Vdc models also available. Contact your sales point for further details.

Supply voltage	12Vdc	24Vdc	115Vac	230Vac
Supply voltage limits			± 15%	
Supply current	4.15A	2.15A	540mA	270mA
Luminous intensity				
	Red	64Cd		80Cd
	Amber	192Cd		240Cd
	Green	115Cd		143Cd
	Blue	38Cd		48Cd
	Clear	256Cd		319Cd
Lamp rating		48W		60W
Reflector			80mm, ±3°	
Flash/min			180fpm (3Hz)	
Temperature limits			-20C, +55C	
IEC protection class			IP68	

**Example Order Code: RFG/DC/24/B15D/Blue**

## RFG/TH Rotating Mirror Beacon with Tungsten Halogen Lamp

- High intensity H1 Tungsten Halogen version.
- Unique 'quiet-drive' system incorporating direct motor/turntable self adjusting coupling and long life ball-race bearing. Eliminates nuisance of drive belt breakage and reduces drive-train noise.
- 360° All-round viewing.
- 115Vac and 230Vac versions available with external Transformer Box (ACTE) for low-voltage lamp. Contact your sales point for further details. (Note Transformer Box is rated IP65)

Supply voltage	12Vdc	24Vdc
Supply voltage limits		± 15%
Supply current	4.75A	3A
Luminous intensity		
	Red	146Cd
	Amber	439Cd
	Green	264Cd
	Blue	88Cd
	Clear	586Cd
Lamp rating	55W	70W
Reflector		80mm, ±3°
Flash/min		180fpm (3Hz)
Temperature limits		-20C, +55C
IEC protection class		IP68

**Example Order Code: RFG/DC/12/TH55/Amber**

For Installation Accessories please refer to page 73

**D.G. Controls Limited**

Cadley Hill Road, Swadlincote, Derbyshire, DE11 9TB, ENGLAND.

Tel: +44 (0) 1283 550850 Fax: +44 (0) 1283 550776 E-mail: sales@deegee.com www: http://www.deegee.com

Copyright © Reserved



# Series G



## XFG/11 Joule and XFG/5 Joule Xenon Strobe Beacon

- Repetitive Dual Flash (DH) and Single Flash (SH) models.
- 360° All-round and 270° All-over visibility.
- Long-life xenon tube - typically > 20,000,000 flashes.
- 12-100Vdc (12-72Vac) automatic voltage-ranging 5 Joule model (VRA).
- /SYNC terminals to allow multiple units to be flashed in synchronisation.
- Special 240Vdc model also available.
- User-specified flash-rates/patterns available as extra cost option.

Supply voltage	12Vuc	24Vuc	115Vac	230Vac	VRA
Supply voltage limits					n/a
Supply current	1.36A	680mA	160mA	80mA	7W
Luminous intensity	Red				20Cd
	Amber				60Cd
	Green				60Cd
	Blue				20Cd
	Clear				100Cd
Flash Energy					5J
Flash Event					SH Only
Flash rate adjustment					30, 45, 60, 90 fepm
Temperature limits					-40C, +55C
IEC protection class					IP68

**Example Order Code: XFG/UC/24/DH/11J/Clear**



## PSG/B15D Pulsed (Flashing) Beacon

- Solid-state operation.
- 360° All-round and 270° All-over visibility.
- 12Vdc, 24Vdc, 115Vac and 230Vac versions.
- 24Vac version available to order - see 24Vdc versions for specification.
- 50% duty cycle (equal on/off periods).
- Terminals on-board for additional slave beacons - up to rated maximum slave load.
- Alternative lamps and lamp caps available, e.g. E14 or E27.

Supply voltage	12Vdc	24Vdc	115Vac	230Vac
Supply voltage limits				
Supply current	4A	2A	520mA	260mA
Luminous intensity	Red	13Cd		
	Amber	38Cd		
	Green	23Cd	12Cd	45Cd
	Blue	8Cd	27Cd	9Cd
	Clear	50Cd	60Cd	60W
Lamp rating				
Max slave load	21W	48W	120W	300W
Flash/min				
Temperature limits				
IEC protection class				

**Example Order Code: PSG/AC/230/B15D/Red**



## SBG Static (Non-flashing) Beacon

- Ideal slave (not CFT) to conventional **deegee** pulsed beacons (not LED).
- 360° All-round and 270° All-over visibility.
- 12V, 24V, 50V, 115V and 230V versions. AC or DC operation (B15D bulb supplied).
- 230Vac compact fluorescent (CFT) also available.
- Also available without fitted bulb (voltage designation 'O')
- Alternative lamps and lamp caps available, e.g. E14 or E27.

		Filament Lamp				CFT
Supply voltage	12Vuc	24Vuc	50Vuc	115Vuc	230Vuc	230Vac
Supply voltage limits						
Supply current	4A	2A	300mA	520mA	260mA	45mA
Luminous intensity	Red	13Cd	4Cd	12Cd	12Cd	12Cd
	Amber	38Cd	11Cd	45Cd	45Cd	45Cd
	Green	23Cd	7Cd	27Cd	27Cd	27Cd
	Blue	8Cd	2Cd	9Cd	9Cd	9Cd
	Clear	50Cd	15Cd	60Cd	60Cd	60Cd
Lamp rating	48W	15W	60W	60W	10W	
Temperature limits						
IEC protection class						

**Example Order Code: SBG/UC/12/B15D/Blue**



## RFG/RMLED Rotating Mirror LED Beacon

- Traditional rotating mirror with solid-state light source.
- High-output **AND** Low-power!
- 360° All-round visibility.
- Long-life LED (>100,000 hours typical).
- Ultra-low current draw means more units can be powered from a single source.
- Specifically ideal for systems that feature battery back-up in case of failure of the primary power source.

Supply voltage	12Vdc - 24Vdc		115Vac - 230Vac		
Supply voltage limits					
Supply power	5W		7W		
Luminous intensity	Red				278Cd
	Amber				163Cd
	Green				178Cd
	Blue				100Cd
	Clear				278Cd
Flash/min					
Temperature limits					
IEC protection class					

**Example Order Code: RFG/AC/115-230/RMLED/Blue**



For Installation Accessories please refer to page 73

**D.G. Controls Limited**

Cadley Hill Road, Swadlincote, Derbyshire, DE11 9TB, ENGLAND.

Tel: +44 (0) 1283 550850 Fax: +44 (0) 1283 550776 E-mail: sales@deegee.com www: http://www.deegee.com

Copyright © Reserved

# Series G

## RFG/LED Revolving and PSG/LED Pulsed (Flashing) LED Beacons

- Solid-state LED beacon with either revolving (simulated rotating) or Pulsed light effect.
- 360° All-round visibility.
- No moving parts.
- Long-life LEDs (>100,000 hours typical).
- 50% duty cycle (equal on/off periods).
- User selectable pulsed/static (flashing/non-flashing) operation by simple jumper link change.
- Very low current draw.

Supply voltage	12Vdc	24Vdc	115Vac	230Vac
Supply voltage limits			± 15%	
Supply current (RFG/LED)	100mA	100mA	100mA	100mA
Supply current (PSG/LED)	300mA	150mA	50mA	25mA
Number of LEDs	Red		120	
	Amber		120	
	Green		120	
	Blue		72	
	Clear		72	
Luminous intensity			16Cd	
Flash/min (RFG/LED)			150fpm (2.5Hz)	
Flash/min (PSG/LED)			120fpm (2Hz)	
Temperature limits			-40C, +55C	
IEC protection class			IP65	

**Example Order Code: RFG/DC/24/LED/Amber or PSG/DC/12/LED/Red**

## SBG/LED Static (Non-flashing) LED Beacon - 360° All-round viewing

- Static (non-flashing) LED beacon.
- 360° All-round visibility.
- Meets ICAO requirements for Low Intensity Obstruction Warning (Red only).
- High-density LED Matrix.
- Long-life LEDs (>100,000 hours typical).
- Ideal low-current slave to conventional (not LED) pulsed beacons.

Supply voltage	12Vdc	24Vdc	115Vac	230Vac
Supply voltage limits			± 15%	
Supply current	600mA	300mA	100mA	50mA
Number of LEDs	Red		120	
	Amber		120	
	Green		120	
	Blue		72	
	Clear		72	
Luminous Intensity			16Cd	
Temperature limits			-40C, +55C	
IEC protection class			IP68	

**Example Order Code: SBG/AC/115/LED/Green**

## SBG/AOV-LED Static (Non-flashing) LED Beacon - 360° All-round + 270° All-over viewing

- Static (non-flashing) LED beacon.
- 360° All-round and 270° All-over visibility.
- Meets ICAO requirements for Low Intensity Obstruction Warning (Red only).
- Additional 48Vdc model for specialist applications.
- High-density LED Matrix.
- Long-life LEDs (>100,000 hours typical).
- Ideal low-current slave to conventional (not LED) pulsed beacons.

Supply voltage	12Vdc	24Vdc	48Vdc	115Vac	230Vac
Supply voltage limits			± 15%		
Supply current	800mA	400mA	400mA	120mA	60mA
Number of LEDs	Red		160		
	Amber		160		
	Green		160		
	Blue		96		
	Clear		96		
Luminous Intensity			16Cd		
Temperature limits			-40C, +55C		
IEC protection class			IP68		

**Example Order Code: SBG/AC/230/AOV-LED/Red**

For Installation Accessories please refer to page 73

**D.G. Controls Limited**

Cadley Hill Road, Swadlincote, Derbyshire, DE11 9TB, ENGLAND.

Tel: +44 (0) 1283 550850 Fax: +44 (0) 1283 550776 E-mail: sales@deegee.com www: http://www.deegee.com

Copyright © Reserved

