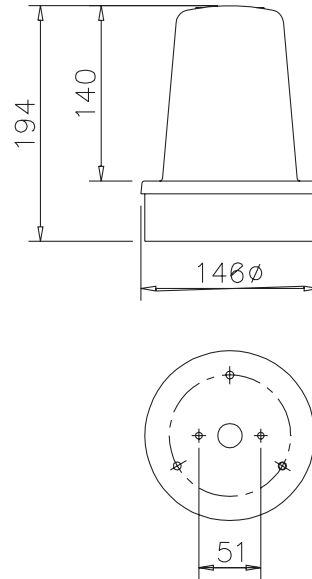


# Series E



The industrial hazard warning beacon setting the standard against which all others are measured. Incorporates fixing drillouts on 51mm centres for direct conduit box mounting (gasket supplied) with alternative 3 drillouts on 100mm PCD. Central 20mmØ entry in base and two side flat pads to allow for alternative entries. High grade engineering, UV-stabilised plastics (ABS Base, Polycarbonate Lens).

**Cage Guard :** G4  
**Wall Mounting Brackets :** MB1, MB1A, MB2/White or MB2/Black  
**Beacon Pole Mount :** PM/250B

## RFE/B15D Rotating Mirror Beacon

- Most popular rotating mirror beacon.
- Unique 'quiet-drive' system incorporating direct motor/turtable self-adjusting coupling and long life ball-race bearing. Eliminates nuisance of drive belt breakage and reduces drive-train noise.
- Beacon/Sounder [92dB(A) IP54] combination also available (see page 68).
- 360° All-round visibility.
- 24Vac, 50Vac, 110Vdc and 240Vdc models also available.

Supply voltage	12Vdc	24Vdc	115Vac	230Vac
Supply voltage limits			± 15%	
Supply current	4.15A	2.15A	540mA	270mA
Luminous intensity				
	Red	64Cd		80Cd
	Amber	192Cd		240Cd
	Green	115Cd		143Cd
	Blue	38Cd		48Cd
	Clear	256Cd		319Cd
Lamp rating		48W		60W
Reflector			80mm, ±3°	
Flash/min			180fpm (3Hz)	
Temperature limits			-20C, +55C	
IEC protection class			IP65	

**Example Order Code: RFE/AC/230/B15D/Red**

## RFE/TH Rotating Mirror Beacon with Tungsten Halogen Lamp

- High intensity H1 Tungsten Halogen version.
- Unique 'quiet-drive' system incorporating direct motor/turtable coupling and long life ball-race bearing. Eliminates nuisance of drive belt breakage and reduces drive-train noise.
- Beacon/Sounder [92dB(A) IP54] combination also available (see page 68).
- 360° All-round visibility.
- 115Vac and 230Vac versions available with external Transformer Box (ACTE) for low-voltage lamp.

Supply voltage	12Vdc	24Vdc
Supply voltage limits		± 15%
Supply current	4.75A	3A
Luminous intensity		
	Red	146Cd
	Amber	439Cd
	Green	264Cd
	Blue	88Cd
	Clear	586Cd
Lamp rating	55W	70W
Reflector		80mm, ±3°
Flash/min		180fpm (3Hz)
Temperature limits		-20C, +55C
IEC protection class		IP65

**Example Order Code: RFE/DC/24/TH70/Blue**

For Installation Accessories please refer to page 73

**D.G. Controls Limited**

Cadley Hill Road, Swadlincote, Derbyshire, DE11 9TB, ENGLAND.

Tel: +44 (0) 1283 550850 Fax: +44 (0) 1283 550776 E-mail: sales@deegee.com www: http://www.deegee.com

Copyright © Reserved

# Series E

## XFE/11 Joule and XFE/5 Joule Xenon Strobe Beacon

- High energy xenon strobe beacon.
- Repetitive Dual Flash (DH) and Single Flash (SH) models.
- Long-life xenon tube - typically > 20,000,000 flashes.
- 12Vdc, 24Vdc, 115Vac and 230Vac 11 Joule models.
- 12-100Vdc (12-72Vac) automatic voltage-ranging 5 Joule model (VRA).
- /SYNC terminals to allow multiple units to be flashed in synchronisation.
- 360° All-round and 270° All-over visibility.
- Special 240Vdc model also available.

Supply voltage	12Vdc	24Vdc	115Vac	230Vac	VRA
Supply voltage limits			± 15%		n/a
Supply current	1.36A	680mA	160mA	80mA	7W
Luminous intensity					20Cd
	Red		44Cd		60Cd
	Amber		132Cd		60Cd
	Green		132Cd		20Cd
	Blue		44Cd		100Cd
	Clear		220Cd		5J
Flash Energy			11J		SH Only
Flash Event			DH or SH		
Flash rate adjustment			30, 45, 60, 90 fepm		
Temperature limits			-40C, +55C		
IEC protection class			IP65		

**Example Order Code: XFE/AC/115/DH/11J/Amber**

## PSE/B15D Pulsed (Flashing) Beacon

- Solid-state operation.
- 12Vdc, 24Vdc, 115Vac and 230Vac versions.
- 24Vac version available to order - See 24Vdc versions for specification.
- 50% duty cycle (equal on/off periods).
- Terminals on-board for additional slave beacons - up to rated maximum slave load.
- 360° All-round and 270° All-over visibility.
- Alternative lamps and lamp caps available, e.g. E14.

Supply voltage	12Vdc	24Vdc	115Vac	230Vac
Supply voltage limits			± 15%	
Supply current	4A	2A	520mA	260mA
Luminous intensity				
	Red	13Cd		15Cd
	Amber	38Cd		45Cd
	Green	23Cd		27Cd
	Blue	8Cd		9Cd
	Clear	50Cd		60Cd
Lamp rating		48W		60W
Max slave load	21W	48W	120W	300W
Flash/min			40fpm (0.667Hz)	
Temperature limits			-20C, +55C	
IEC protection class			IP65	

**Example Order Code: PSE/DC/12/B15D/Green**

## SBE Static (Non-flashing) Beacon

- 12V, 24V, 50V, 115V and 230V models. AC or DC operation (B15D lamp supplied).
- 230Vac compact fluorescent model (CFT) also available.
- Can be supplied without bulb (Voltage designation 'O').
- Ideal slave unit (not CFT) to conventional **deege** pulsed beacons (not LED).
- 360° All-round and 270° All-over visibility.
- Alternative lamps and lamp caps available, e.g. E14.

		Filament Lamp				CFT
Supply voltage	12Vdc	24Vdc	50Vdc	115Vac	230Vac	230Vac
Supply voltage limits			± 15%			
Supply current	4A	2A	300mA	520mA	260mA	45mA
Luminous intensity						
	Red	13Cd	4Cd	15Cd	15Cd	12Cd
	Amber	38Cd	11Cd	45Cd	45Cd	45Cd
	Green	23Cd	7Cd	27Cd	27Cd	27Cd
	Blue	8Cd	2Cd	9Cd	9Cd	9Cd
	Clear	50Cd	15Cd	60Cd	60Cd	60Cd
Lamp rating		48W	15W	60W	60W	10W
Temperature limits				-20C, +55C		
IEC protection class				IP65		

**Example Order Code: SBE/AC/230/CFT/Red**

## MFE/LED Multi-function LED Beacon

- High density matrix of long-life LEDs.
- Multiple functions selectable by either on-board jumper links or external switching.
- 360° All-round visibility.
- Single unit can indicate eight different switchable warning signals: -
  - Static
  - Pulsed      3 speeds    40, 120 and 300 fpm
  - Wig-Wag    2 styles    120 cycles per minute
  - Chasing      60 cycles per minute
  - Off

Supply voltage	12Vdc	24Vdc	115Vac	230Vac
Supply voltage limits			± 15%	
Supply current	160mA	160mA	9mA	9mA
Number of LEDs				
	Red		48	
	Amber		48	
	Green		48	
	Blue		24	
	Clear		24	
Luminous Intensity			24Cd	
Flash/min			Mode Dependent	
Temperature limits			-40C, +55C	
IEC protection class			IP65	

**Example Order Code: MFE/DC/12/LED/Red**

For Installation Accessories please refer to page 73

**D.G. Controls Limited**

Cadley Hill Road, Swadlincote, Derbyshire, DE11 9TB, ENGLAND.

Tel: +44 (0) 1283 550850 Fax: +44 (0) 1283 550776 E-mail: sales@deege.com www: http://www.deege.com

Copyright © Reserved



# Series E



## RFE/RMLED Rotating Mirror LED Beacon

- Traditional rotating mirror with solid-state light source.
- High-output **AND** Low-power!
- 360° All-round visibility.
- Long-life LED (>100,000 hours typical).
- Ultra-low current draw means more units can be powered from a single source.
- Specifically ideal for systems that feature battery back-up in case of failure of the primary power source.

Supply voltage	12Vdc - 24Vdc	115Vac - 230Vac
Supply voltage limits	± 15%	
Supply power	5W	7W
Luminous intensity	Red	278Cd
	Amber	163Cd
	Green	178Cd
	Blue	100Cd
	Clear	278Cd
Flash/min	120fpm (2Hz)	
Temperature limits	-20C, +55C	
IEC protection class	IP65	



**Example Order Code: RFE/DC/12-24/RMLED/Red**



## RFE/LED Revolving and PSE/LED Pulsed (Flashing) LED Beacons

- Solid-state LED beacon with either revolving (simulated rotating) or Pulsed light effect.
- 360° All-round visibility.
- No moving parts.
- Long-life LEDs (>100,000 hours typical).
- 50% duty cycle (equal on/off periods).
- User selectable pulsed/static (flashing/non-flashing) operation by simple jumper link change.
- Very low current draw.

Supply voltage	12Vdc	24Vdc	115Vac	230Vac
Supply voltage limits	± 15%			
Supply current (RFE/LED)	100mA	100mA	100mA	100mA
Supply current (PSE/LED)	300mA	150mA	50mA	25mA
Number of LEDs	Red	120		
	Amber	120		
	Green	120		
	Blue	72		
	Clear	72		
Luminous intensity	16Cd			
Flash/min (RFE/LED)	150fpm (2.5Hz)			
Flash/min (PSE/LED)	120fpm (2Hz)			
Temperature limits	-40C, +55C			
IEC protection class	IP65			



**Example Order Code: RFE/AC/230/LED/Red or PSE/DC/24/LED/Blue**



## SBE/LED Static (Non-flashing) LED Beacon - 360° All-round viewing

- Static (non-flashing) LED beacon
- 360° All-round visibility.
- Meets ICAO requirements for Low Intensity Obstruction Warning (Red only).
- High-density LED Matrix.
- Long-life LEDs (>100,000 hours typical).
- Ideal low-current slave to conventional **deege** pulsed beacons (not LED).

Supply voltage	12Vdc	24Vdc	115Vac	230Vac
Supply voltage limits	± 15%			
Supply current	600mA	300mA	100mA	50mA
Number of LEDs	Red	120		
	Amber	120		
	Green	120		
	Blue	72		
	Clear	72		
Luminous Intensity	16Cd			
Temperature limits	-40C, +55C			
IEC protection class	IP65			



**Example Order Code: SBE/DC/12/LED/Green**



## SBE/AOV-LED (Non-flashing) Static LED Beacon - 360° All-round + 270° All-over viewing

- Static (non-flashing) LED beacon.
- 360° All-round' and 270° All-over visibility.
- Meets ICAO requirements for Low Intensity Obstruction Warning (Red only).
- Additional 48Vdc model for specialist applications.
- High-density LED Matrix.
- Long-life LEDs (>100,000 hours typical).
- Ideal low-current slave to conventional **deege** pulsed beacons (not LED).

Supply voltage	12Vdc	24Vdc	48Vdc	115Vac	230Vac
Supply voltage limits	± 15%				
Supply current	800mA	400mA	400mA	120mA	60mA
Number of LEDs	Red	160			
	Amber	160			
	Green	160			
	Blue	96			
	Clear	96			
Luminous Intensity	16Cd				
Temperature limits	-40C, +55C				
IEC protection class	IP65				



**Example Order Code: SBE/DC/48/AOV-LED/Red**



For Installation Accessories please refer to page 73

**D.G. Controls Limited**

Cadley Hill Road, Swadlincote, Derbyshire, DE11 9TB, ENGLAND.

Tel: +44 (0) 1283 550850 Fax: +44 (0) 1283 550776 E-mail: sales@deege.com www: http://www.deege.com

Copyright © Reserved