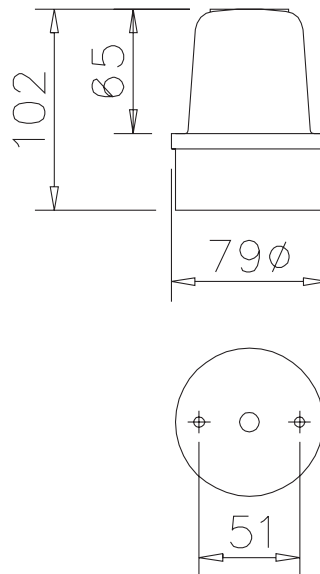


Series D



Miniature industrial hazard warning beacon ideal for general purpose and localised signalling applications. Fixing drillouts on 51mm centres facilitate direct conduit box mounting where advantageous (gasket supplied). Cable access is afforded by a central 10mmØ entry in base. High grade engineering, UV-stabilised plastics (ABS Base, Polycarbonate Lens).



Cage Guard : G1
Wall Mounting Brackets : MB1, MB1A, MB2/White or MB2/Black
Beacon Pole Mount : PM/250B



XFD/2.5 Joule Xenon Strobe Beacon

- Low-energy, high-intensity xenon strobe beacon.
- Repetitive Single Flash (SH) model.
- Long-life xenon tube - typically > 20,000,000 flashes.
- 12Vdc, 24Vdc, 115Vac and 230Vac 2.5 Joule models.
- 360° All-round and 270° All-over visibility.
- DC to AC converter (UC-RECT) module available.

Supply voltage	12Vdc	24Vdc	115Vac	230Vac
Supply voltage limits			± 15%	
Supply current	330mA	170mA	60mA	30mA
Luminous intensity				
Red			8Cd	
Amber			24Cd	
Green			24Cd	
Blue			8Cd	
Clear			40Cd	
Flash Energy			2.5J	
Flash Event			SH Only	
Flash rate adjustment			60 fpm (1Hz)	
Temperature limits			-40C, +55C	
IEC protection class			IP65	



Example Order Code: XFD/DC/12/SH/2.5J/Red



PSD/B15D Pulsed (Flashing) Beacon

- Solid-state operation.
- 12Vdc, 24Vdc, 115Vac and 230Vac versions.
- 24Vac version available to order - see 24Vdc versions for specification but order as PSD/AC/24/B15D/*.
- 50% duty cycle (equal on/off periods).
- 360° All-round and 270° All-over visibility.

Supply voltage	12Vdc	24Vdc	115Vac	230Vac
Supply voltage limits			± 15%	
Supply current	1A	500mA	130mA	65mA
Luminous intensity				
Red	3Cd			4Cd
Amber	9Cd			11Cd
Green	6Cd			7Cd
Blue	2Cd			2Cd
Clear	12Cd			15Cd
Lamp rating	12W			15W
Flash/min			40fpm (0.667Hz)	
Temperature limits			-20C, +55C	
IEC protection class			IP65	



Example Order Code: PSD/AC/230/B15D/Amber



For Installation Accessories please refer to page 73

D.G. Controls Limited

Cadley Hill Road, Swadlincote, Derbyshire, DE11 9TB, ENGLAND.

Tel: +44 (0) 1283 550850 Fax: +44 (0) 1283 550776 E-mail: sales@deegee.com www: http://www.deegee.com

Copyright © Reserved

Series D

SBD Static (Non-flashing) Beacon

- Continuously rated indicator lamps.
- Ideal slave unit to conventional **deege** pulsed beacons (not LED).
- Available in the standard voltages of 12V, 24V, 50V, 115V and 230V. AC or DC operation (bulb supplied).
- Also available without fitted bulb (Voltage designation 'O').
- 360° All-round and 270° All-over visibility.

Supply voltage	12Vuc	24Vuc	50Vuc	115Vuc	230Vuc
Supply voltage limits			± 15%		
Supply current	1A	500mA	300mA	130mA	65mA
Luminous intensity					
	Red	3Cd	4Cd		4Cd
	Amber	9Cd	11Cd		11Cd
	Green	6Cd	7Cd		7Cd
	Blue	2Cd	2Cd		2Cd
	Clear	12Cd	15Cd		15Cd
Lamp rating		12W	15W		15W
Temperature limits			-20C, +55C		
IEC protection class			IP65		



Example Order Code: SBD/UC/115/B15D/Green

RFD/LED Revolving LED Beacon

- Solid-state LED beacon with revolving (simulated rotating) light effect.
- 360° 'all-round' visibility.
- No moving parts.
- High density LED matrix.
 - Long-life LEDs (>100,000 hours typical)
- Ultra-low current draw relative to achieved light output.

Supply voltage	12Vdc	24Vdc	115Vac	230Vac
Supply voltage limits			± 15%	
Supply current			25mA	
Number of LEDs				
	Red		40	
	Amber		40	
	Green		40	
	Blue		24	
	Clear		24	
Luminous intensity			8Cd	
Flash/min			150fpm (2.5Hz)	
Temperature limits			-40C, +55C	
IEC protection class			IP65	

Example Order Code: RFD/AC/230/LED/Red

PSD/LED Pulsed (Flashing) LED Beacon

- Pulsed beacon incorporating high density LED matrix.
- 360° 'all-round' visibility.
- Long-life LEDs (>100,000 hours typical).
- User selectable pulsed/static (flashing/non-flashing) operation by simple jumper link change.
- Very low current draw.

Supply voltage	12Vdc	24Vdc	115Vac	230Vac
Supply voltage limits			± 15%	
Supply current	70mA	35mA	10mA	10mA
Number of LEDs				
	Red		30	
	Amber		30	
	Green		30	
	Blue		18	
	Clear		18	
Luminous intensity			8Cd	
Flash/min			120fpm (2Hz)	
Temperature limits			-40C, +55C	
IEC protection class			IP65	

Example Order Code: PSD/AC/115/LED/Amber

SBD/LED Static (Non-flashing) LED Beacon

- Static (non-flashing) LED beacon
- 360° 'all-round' visibility.
- High-density LED Matrix.
- Long-life LEDs (>100,000 hours typical).
- Ideal low-current slave to conventional **deege** pulsed beacons (not LED).

Supply voltage	12Vdc	24Vdc	115Vac	230Vac
Supply voltage limits			± 15%	
Supply current	140mA	70mA	20mA	20mA
Number of LEDs				
	Red		30	
	Amber		30	
	Green		30	
	Blue		18	
	Clear		18	
Luminous Intensity			8Cd	
Temperature limits			-40C, +55C	
IEC protection class			IP65	

Example Order Code: SBD/DC/24/LED/Green

For Installation Accessories please refer to page 73

D.G. Controls Limited

Cadley Hill Road, Swadlincote, Derbyshire, DE11 9TB, ENGLAND.

Tel: +44 (0) 1283 550850 Fax: +44 (0) 1283 550776 E-mail: sales@deege.com www: http://www.deege.com

Copyright © Reserved